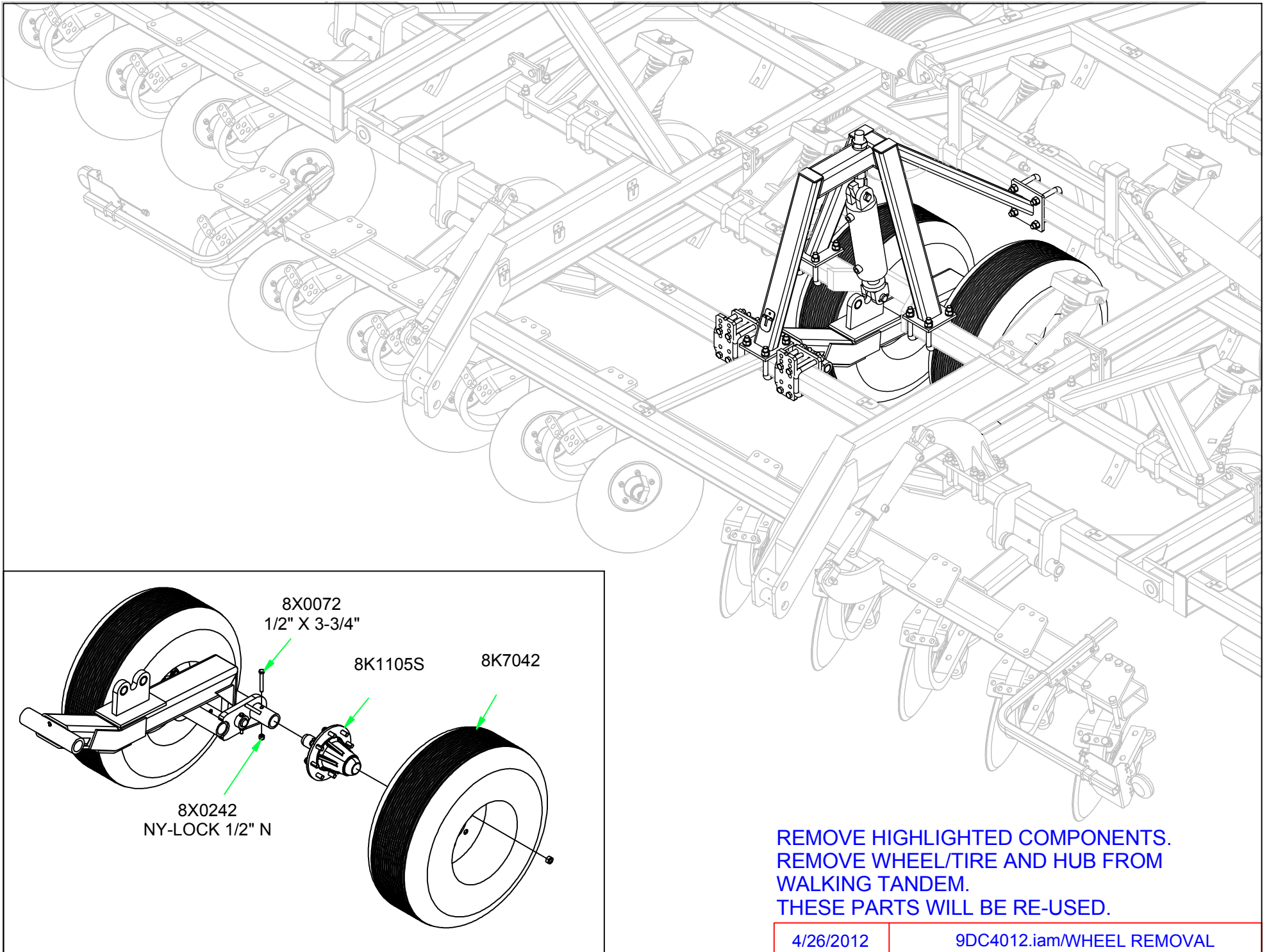
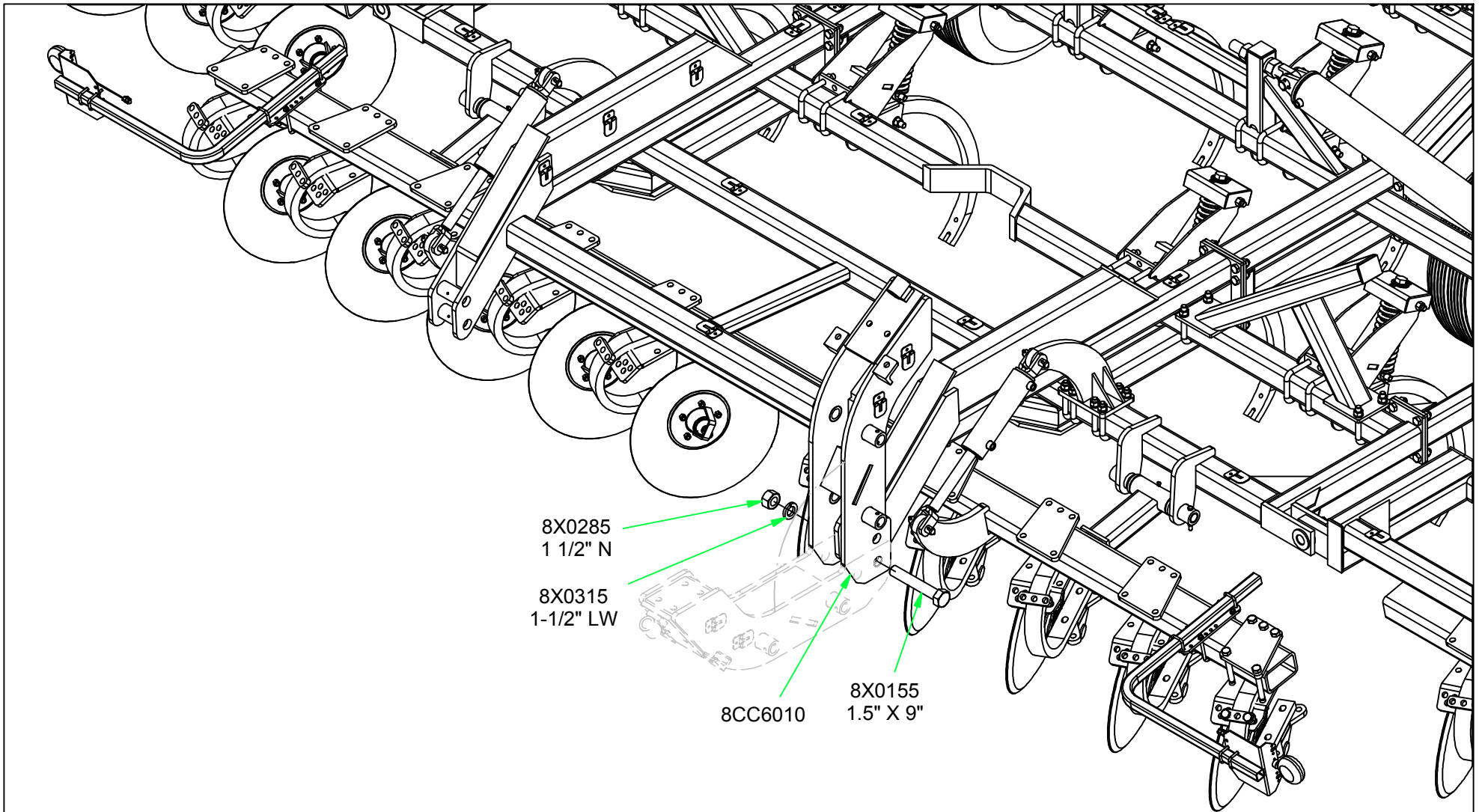


REMOVE HITCH AS SHOWN





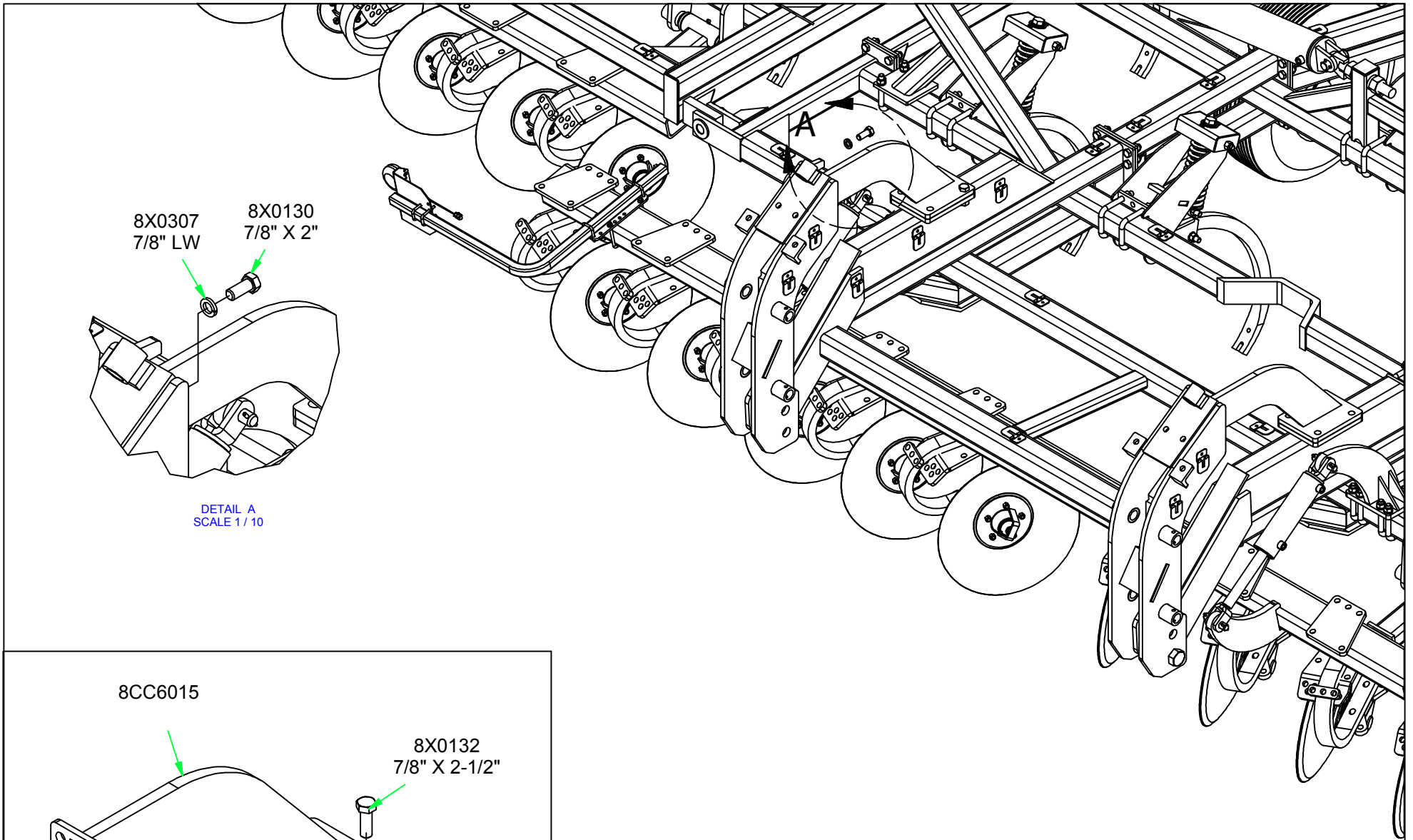
8X0285
1 1/2" N

8X0315
1-1/2" LW

8CC6010

8X0155
1.5" X 9"

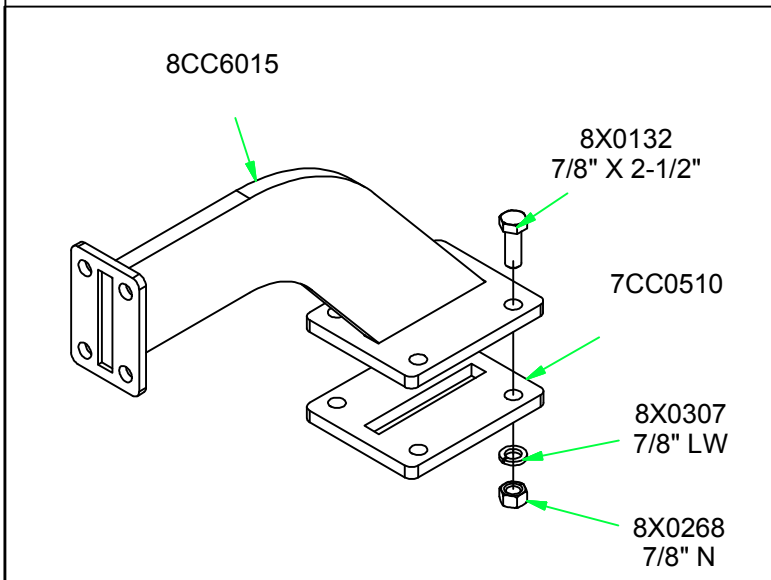
**INSTALL LOWER 1 1/2 X 9" BOLT AND ROTATE
8CC6010 HITCH TOWER UP, AS SHOWN,
THEN INSTALL SECOND BOLT.**



8X0307
7/8" LW

8X0130
7/8" X 2"

DETAIL A
SCALE 1 / 10



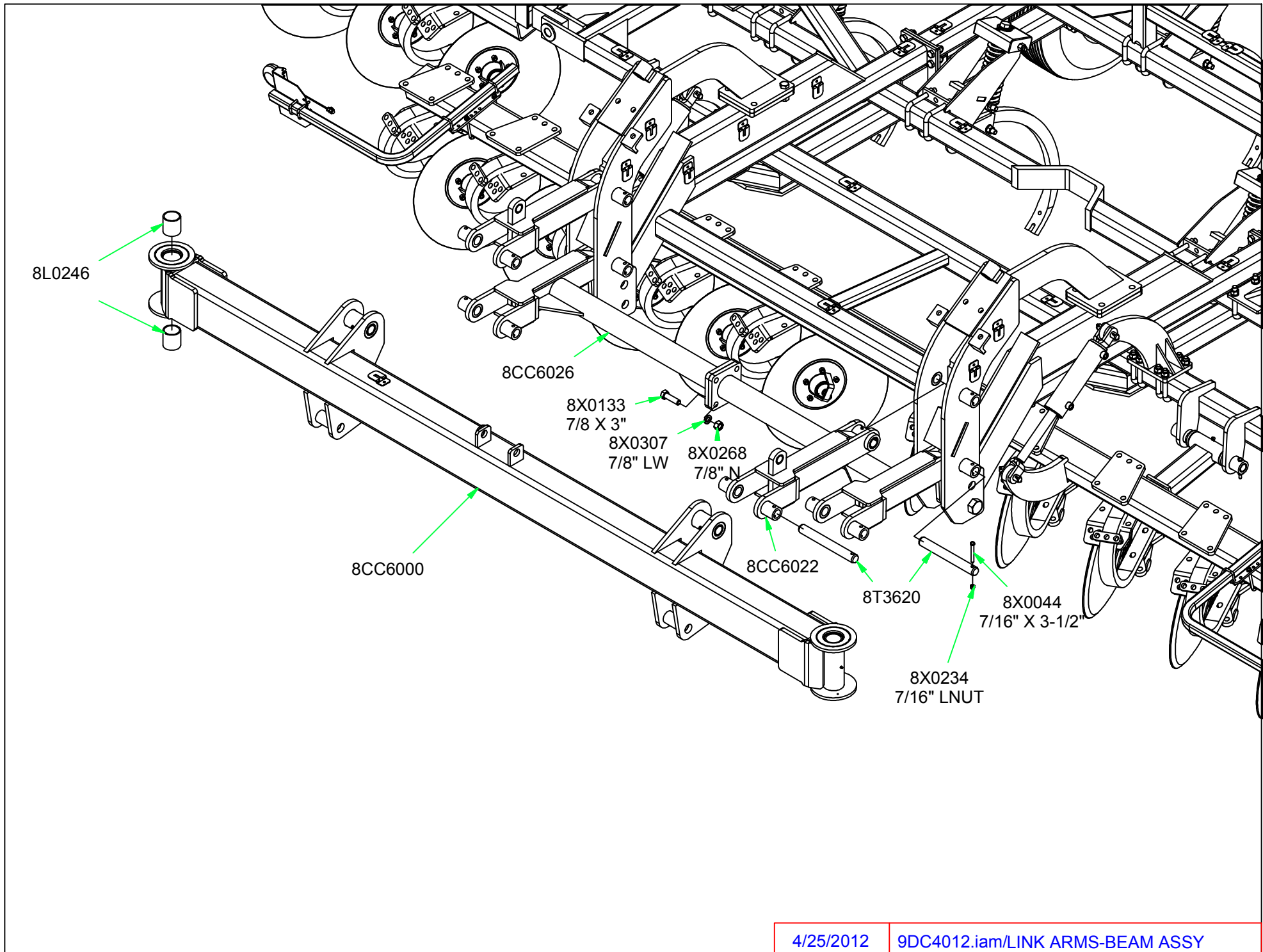
8CC6015

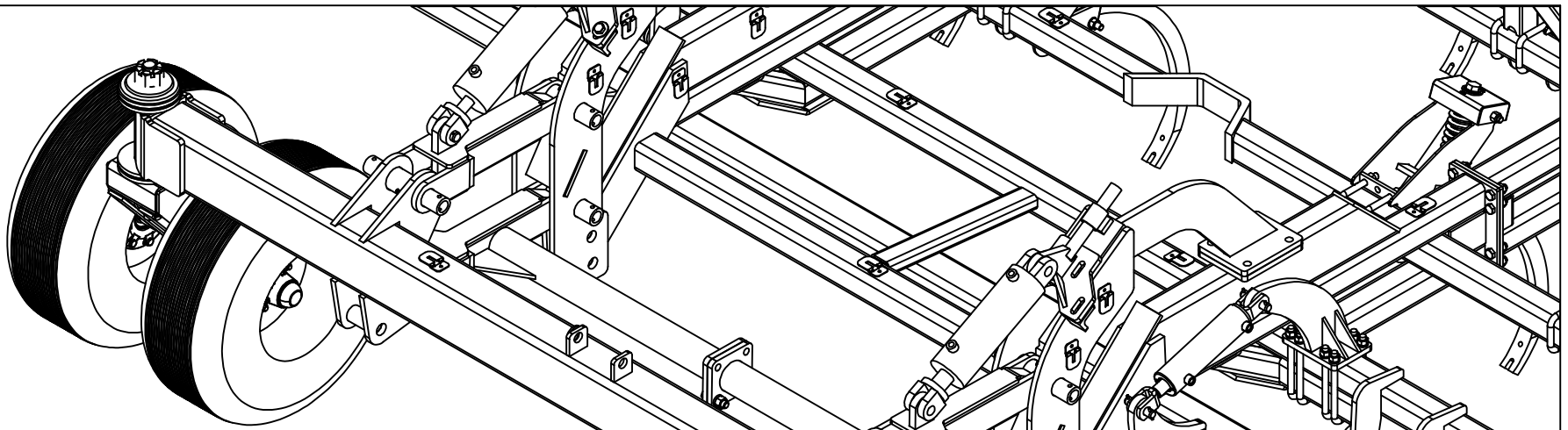
8X0132
7/8" X 2-1/2"

7CC0510

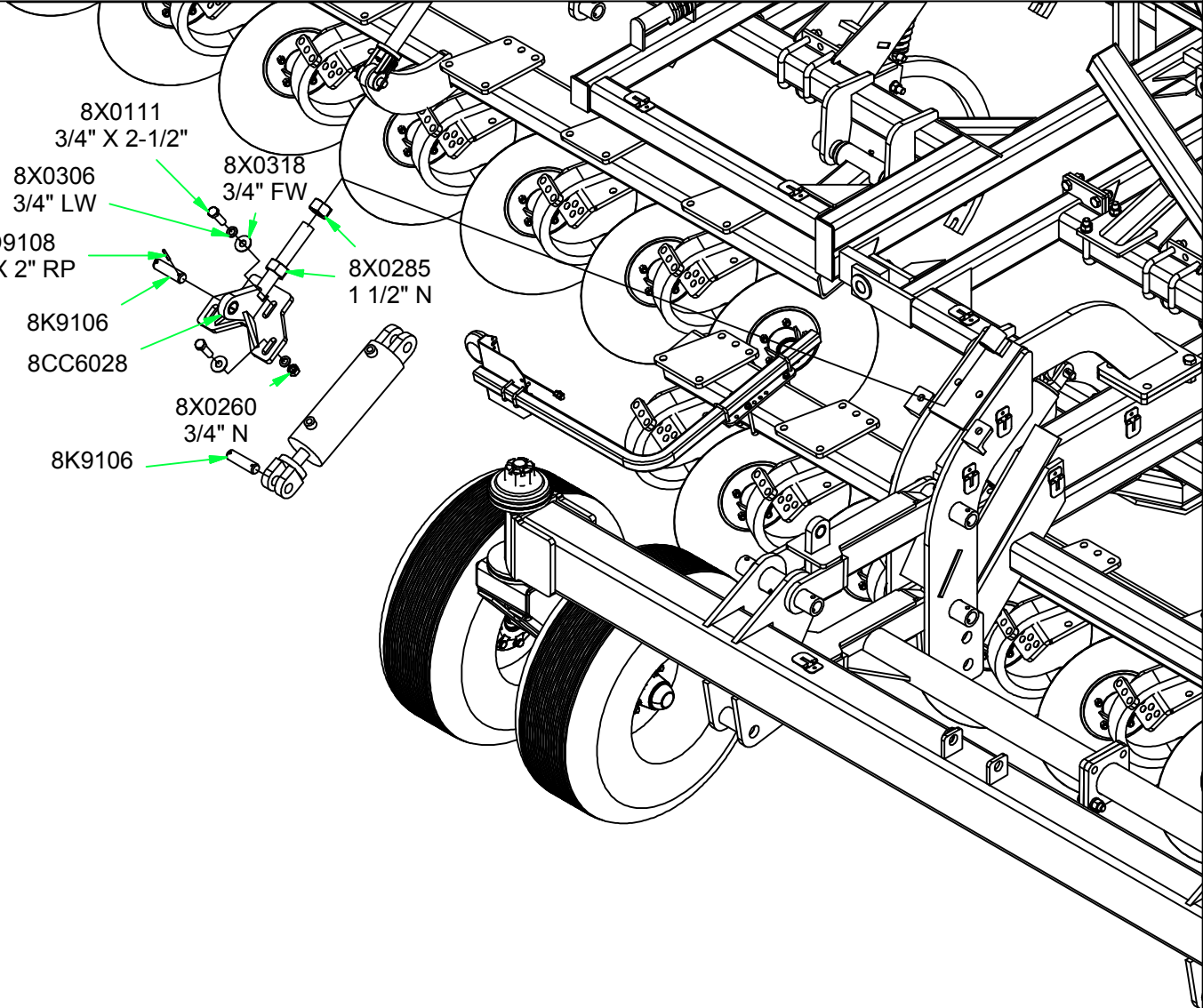
8X0307
7/8" LW

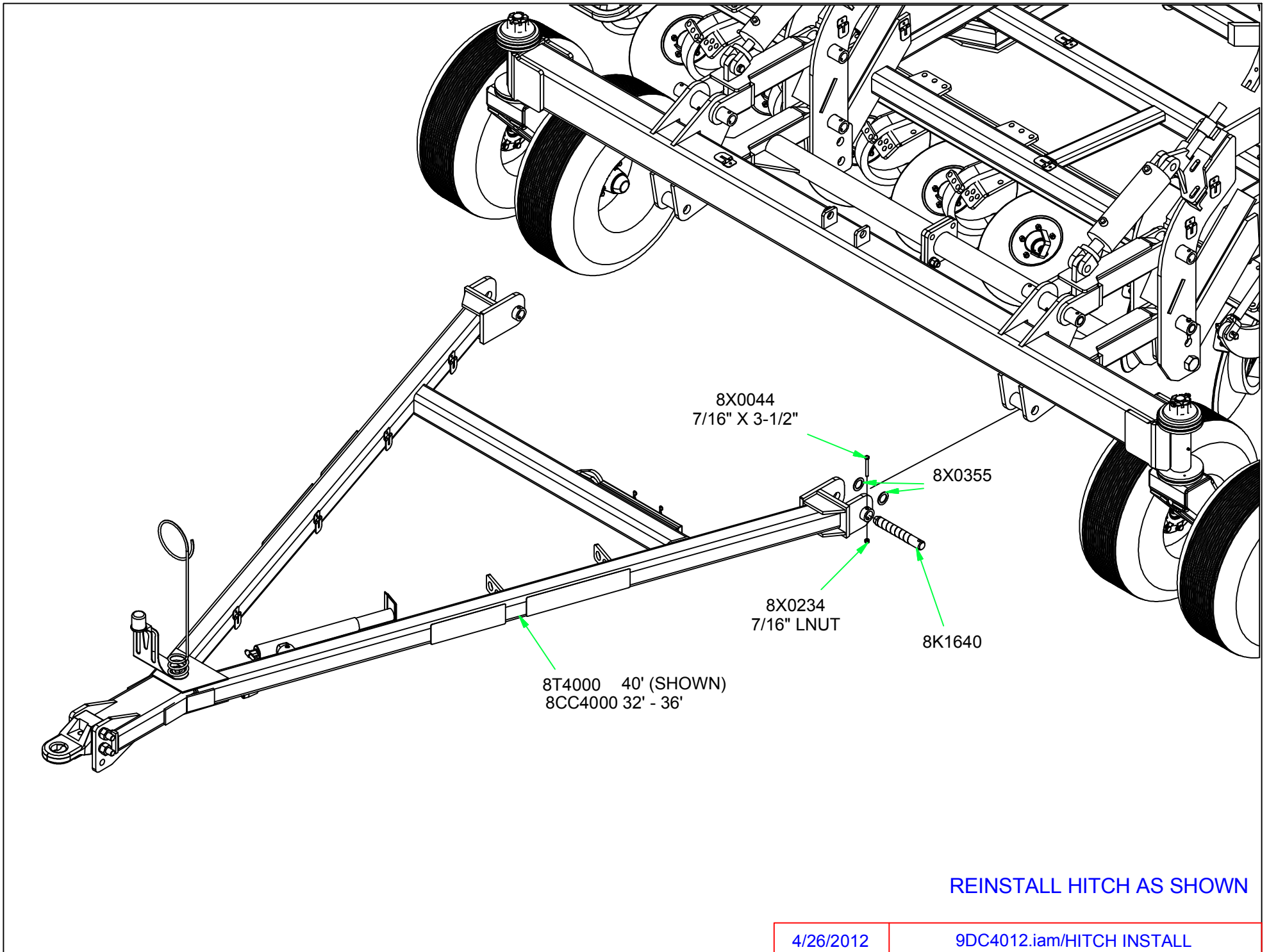
8X0268
7/8" N

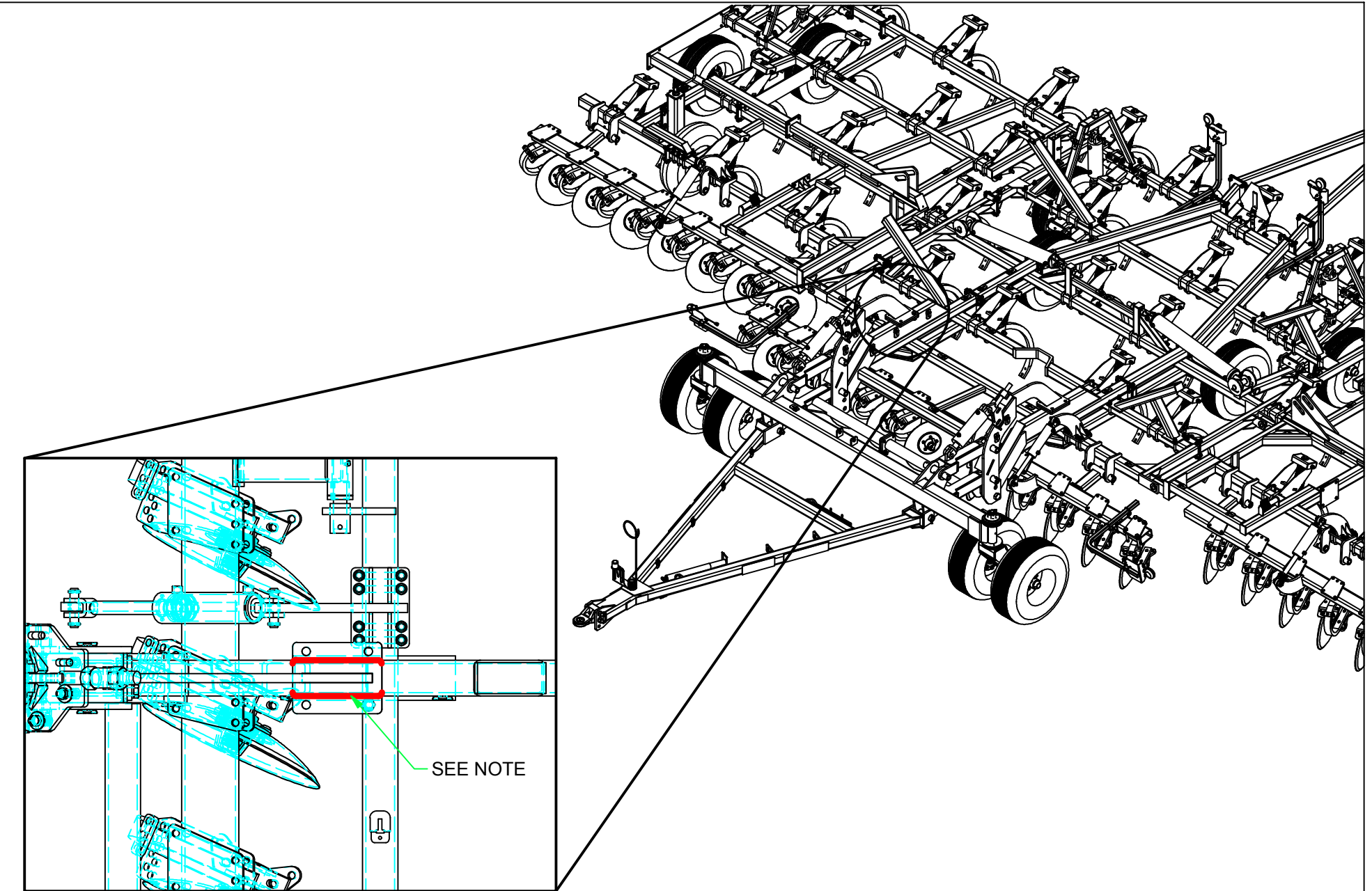




- 8X0202
3/8" LN
- 8X0320
3/8" FW
- 8X0015
3/8" X 3 3/4"
- 8K5200
- 8L0320
- 8L0320
- 8K7042
- 8X0113
3/4 X 5"
- 8CC6035
- 8X0311
1 1/4" LW
- 8X0284
1 1/4" N
- 8X0292
2" SLTD N
- 7L2150
- 7P8530
- 8X0261
3/4" LN
- 8X0072
1/2" X 3-3/4"
- 8K1105S
- 8CC6030
- 8X0242
NY-LOCK 1/2" N

- 
- 8X0111
3/4" X 2-1/2"
- 8X0306
3/4" LW
- 8D9108
1/4 X 2" RP
- 8K9106
- 8CC6028
- 8X0260
3/4" N
- 8K9106
- 8X0318
3/4" FW
- 8X0285
1 1/2" N
- The diagram shows a complex mechanical assembly, likely a wheel hub or suspension component, with various parts labeled. The parts are shown in an exploded view, with green arrows indicating their assembly points. The parts are labeled with part numbers and dimensions: 8X0111 (3/4" X 2-1/2"), 8X0306 (3/4" LW), 8D9108 (1/4 X 2" RP), 8K9106, 8CC6028, 8X0260 (3/4" N), 8K9106, 8X0318 (3/4" FW), and 8X0285 (1 1/2" N). The assembly is shown in a perspective view, with the main body of the assembly on the right and the exploded parts on the left. The main body consists of a central hub with several mounting points and a large wheel on the left. The exploded parts are arranged around the hub, showing how they fit together. The part 8X0260 is a long cylindrical component with a flange on one end. The part 8X0318 is a short cylindrical component with a flange on one end. The part 8X0285 is a long cylindrical component with a flange on one end. The part 8D9108 is a small cylindrical component with a flange on one end. The part 8X0306 is a small cylindrical component with a flange on one end. The part 8K9106 is a small cylindrical component with a flange on one end. The part 8CC6028 is a small cylindrical component with a flange on one end. The part 8X0111 is a small cylindrical component with a flange on one end.





NOTE:
WELD BOTTOM OF BOLT PLATE TO TUBE AS SHOWN.
BEAD SIZE = 3/4". **DO NOT WELD ACROSS FACE OF TUBE.**

32'-40' DISK- / COULTER- CHISEL CASTER HYD.

